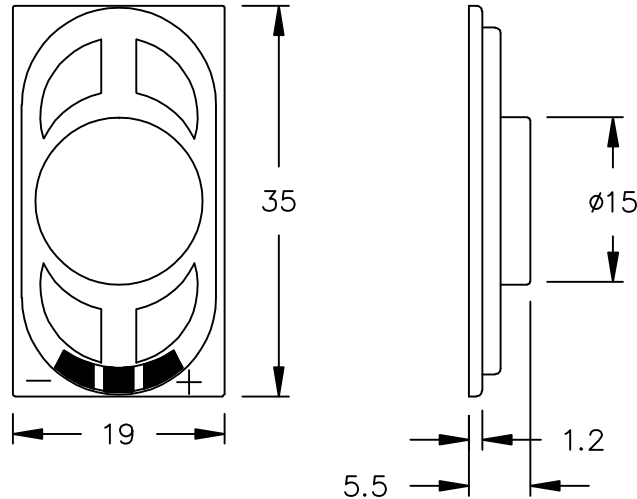


THIS DOCUMENT CONTAINS DATA PROPRIETARY TO PROJECTS UNLIMITED, INC. ANY USE OR REPRODUCTION, IN ANY FORM, WITHOUT PRIOR WRITTEN PERMISSION OF PROJECTS UNLIMITED, INC. IS PROHIBITED.  
 ©2005, Projects Unlimited Inc.

### SPECIFICATIONS

PARAMETERS	VALUES	UNITS
RATED INPUT POWER	1	W
MAX INPUT POWER	2	W
IMPEDANCE	8±15%	OHM
OUTPUT SPL @ 1W/0.5M (AT 0.8, 1.0, 1.2, 1.5 kHz)	83±3	dB
DISTORTION (MAX.)	5%	-
RESONANT FREQUENCY	450±20%	Hz
FREQUENCY RANGE	450 ~ 2000	Hz
HOUSING MATERIAL	METAL	-
CONE MATERIAL	CLOTH	-
MAGNET MATERIAL	NdFeB	-
OPERATING TEMPERATURE	-20 ~ +60	°C
WEIGHT	5.5	grams


REVISIONS			
LTR	DESCRIPTION	DATE	APPROVED
-	RELEASED FROM ENGINEERING	5/30/06	



NOTES:

1. ALL DIMENSIONS ARE IN MILLIMETERS.
2. SPECIFICATION SUBJECT TO CHANGE OR WITHDRAWAL WITHOUT NOTICE.
3. THIS PART IS RoHS 2002/95/EC COMPLIANT.

FILE NAME  
AS03508CO-5-R.DWG

UNLESS OTHERWISE SPECIFIED: DIMENSIONS ARE IN MILLIMETERS, TOLERANCES ARE ±0.5 AND ANGLES ARE ±3°.		 <b>projects® unlimited</b> Dayton, Ohio	
		SPEAKER	
APPROVALS	DATE	SIZE	DRAWING NO.
DRAWN <i>J.D.</i>	<i>5/06</i>	A	AS03508CO-5-R
CHECKED <i>E.P.</i>	<i>5/06</i>		
APPROVED <i>B.R.</i>	<i>5/06</i>		
DO NOT SCALE DRAWING		SCALE: N.T.S.	SHEET 1 OF 1